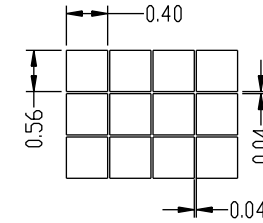


## DOTS DETAIL

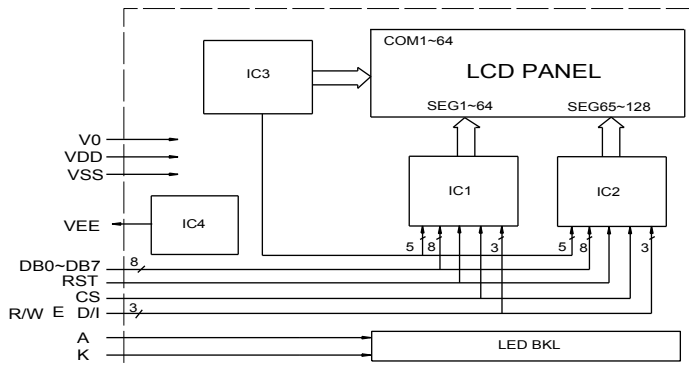


PIN NO	Symbol
1	VSS
2	VDD
3	V0
4	RS
5	R/W
6	E
7	DB0
8	DB7
14	DB7
15	CS1
16	CS2
17	RST
18	VEE
19	A
20	K

## Feature

- 128x64dots display
- Built-in controller (S6B0108)
- +5V power supply
- 1/64 duty cycle; 1/9 bias;
- STN or FSTN mode
- With LED backlight or EL backlight

## Block diagram:



## Mechanical thickness

LCD module thickness	T1	T2	UNIT
Without or EL backlight	5.0	10.0	mm
With edge LED backlight	---	---	mm
With LED bottom backlight	7.8	13.0	mm

## Mechanical data

Item	Standard	Unit
Module dimension	78.0x70.0	mm
Viewing area	62.0x44.0	mm
Dot size	0.40x0.56	mm
Dot pitch	0.44x0.60	mm

## Absolute Maximum Rating

Item	Symbol	Standard			Unit
		Min	Typ	Max	
Input voltage	VI	-0.3	-----	5.5	V
Power supply	VDD-VSS	-0.3	-----	VDD	

## Electronical characteristics

Item	Symbol	Condition	Standard			Unit
			Min	Typ	Max	
Input voltage	VDD	+5V	4.7	5.0	5.5	V
		+3.3V	---	---	---	
Supply current	IDD	VDD=5V	-----	7.2	8	mA
Recommended LCD driving voltage for normal temp version module	VDD-V0	-20°C	---	---	---	V
		0 °C	---	9.8	---	
		25°C	---	9.5	---	
		50°C	---	9.3	---	
LED forward voltage	VF	25°C	-----	4.2	5.0	V
LED forward current	IF	25°C	-----	240	-----	mA
EL power supply current	IEL	VEL=110V AC 400Hz	-----	-----	---	mA